



SUPOR CRANE & RIGGING, LLC

A MEMBER OF THE SUPOR GROUP OF COMPANIES

INTRODUCING OUR NEWEST ADDITION TO OUR CRANE FLEET

Mobile Crane

LTM 1500-8.1

LTM 1500-8.1




LIEBHERR

LIEBHERR

Table of content

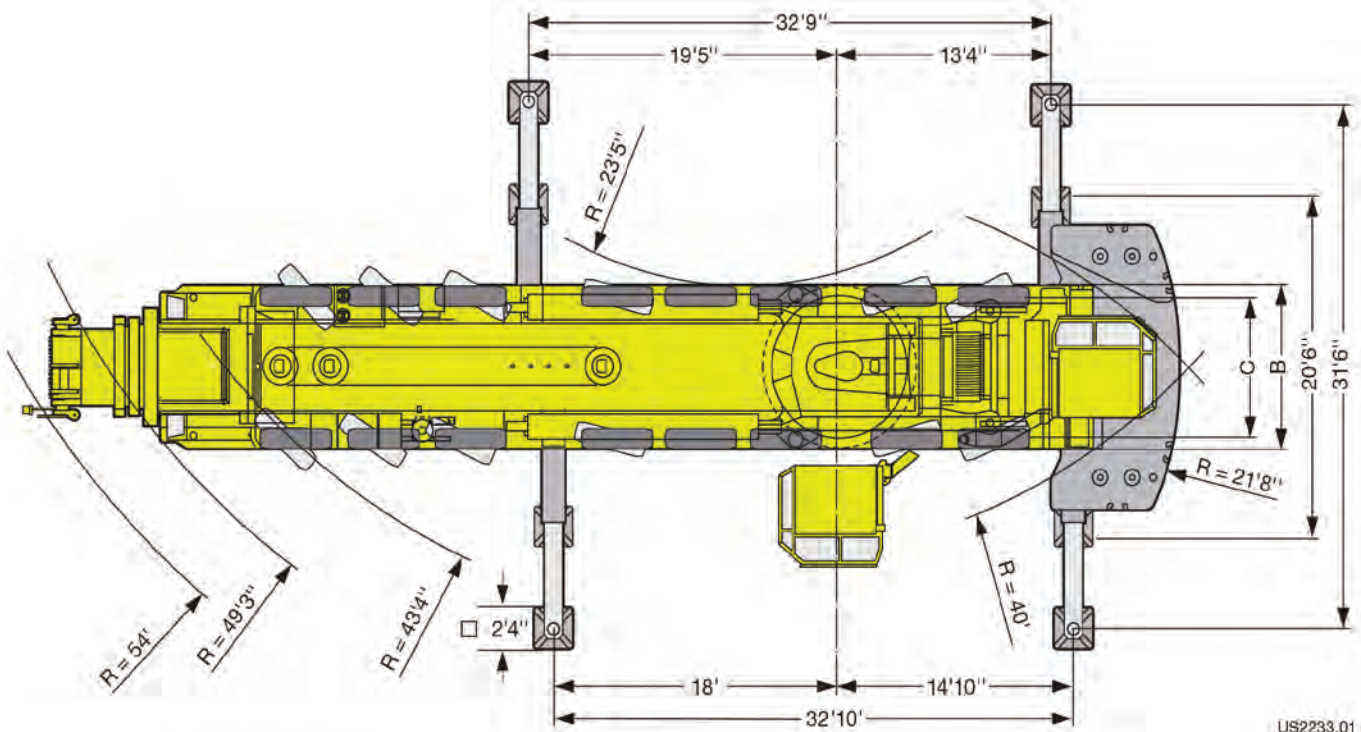
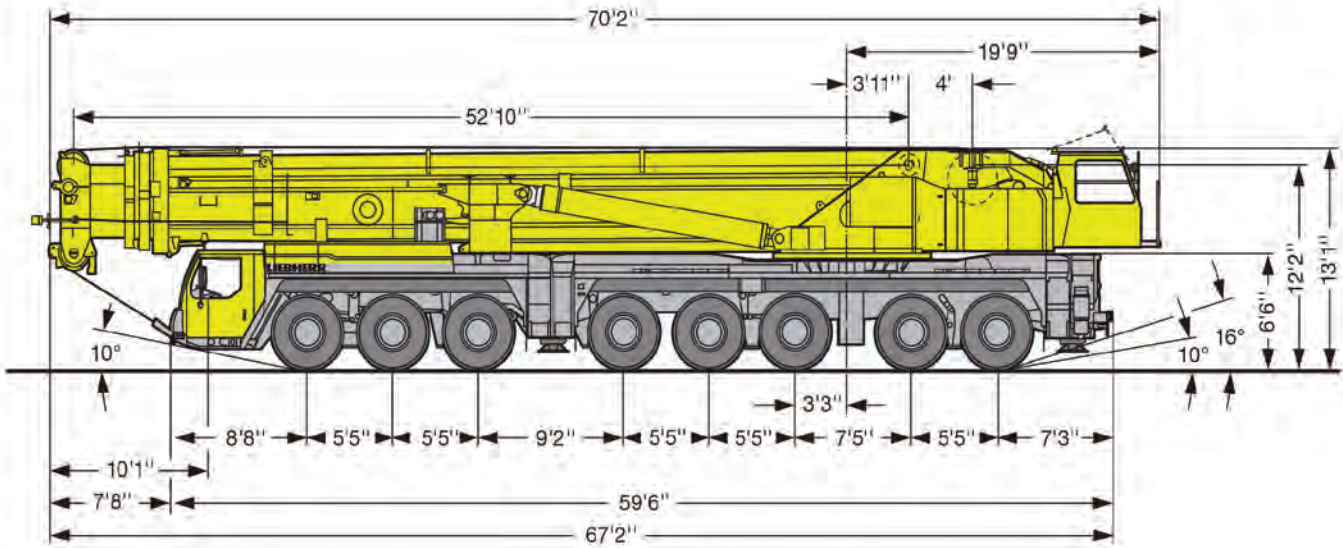
Technical Data

164 ft 

276 ft 


Dimensions		
Transportation plan	A	A
Boom/jib combinations		
Weights, Working speeds		
T	B	B
TY3	C	C
TF	D	D
TVF	E	-
TY3F	F	F
TY3EF	G	G
TVY3F	H	-
TN	I	I
TVN	J	-
TY3N	K	K
TVY3N	L	-
TY3SN	M	M
TNZF	N	N
TY3NZF	O	O
TY3ENZF	P	P
Equipment		
Description of symbols	Q	Q
Remarks		





US2233.01

Tyres 385/95 R 25 (14.00 R 25) · Pneumatiques 385/95 R 25 (14.00 R 25)

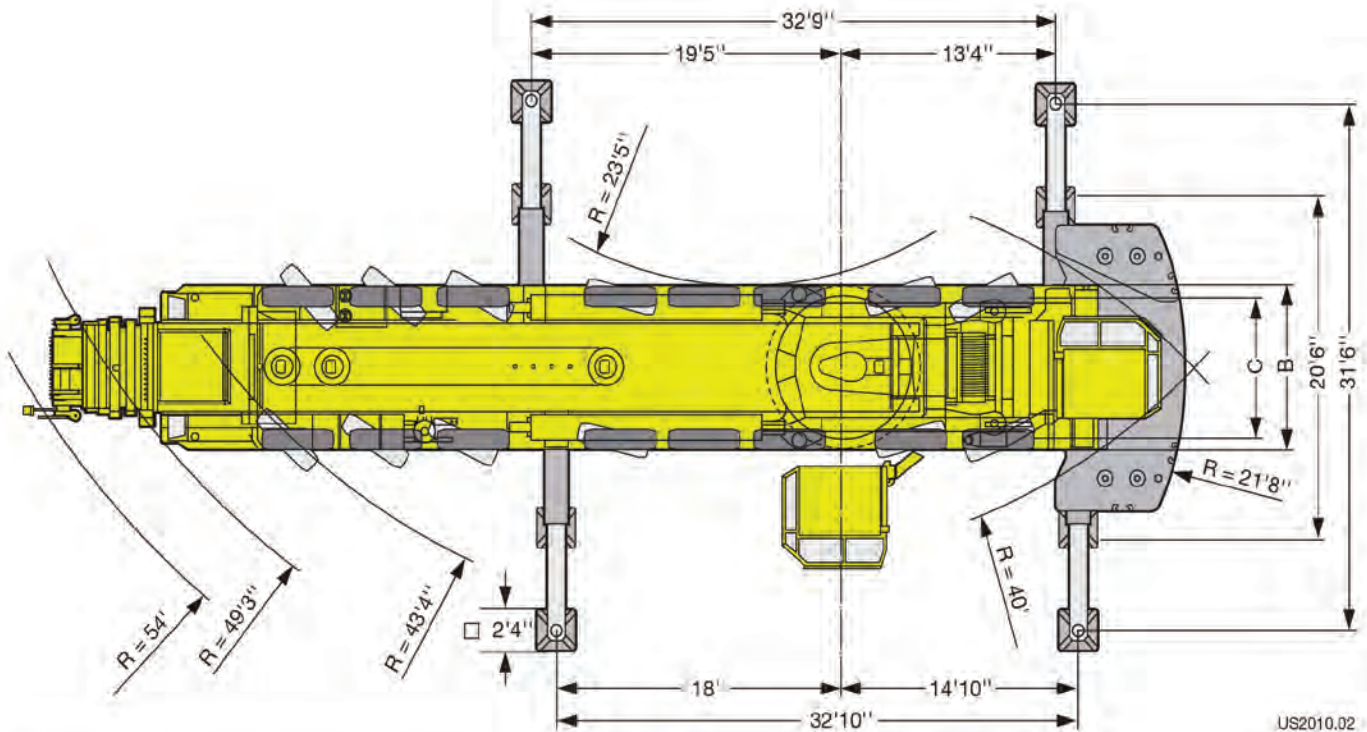
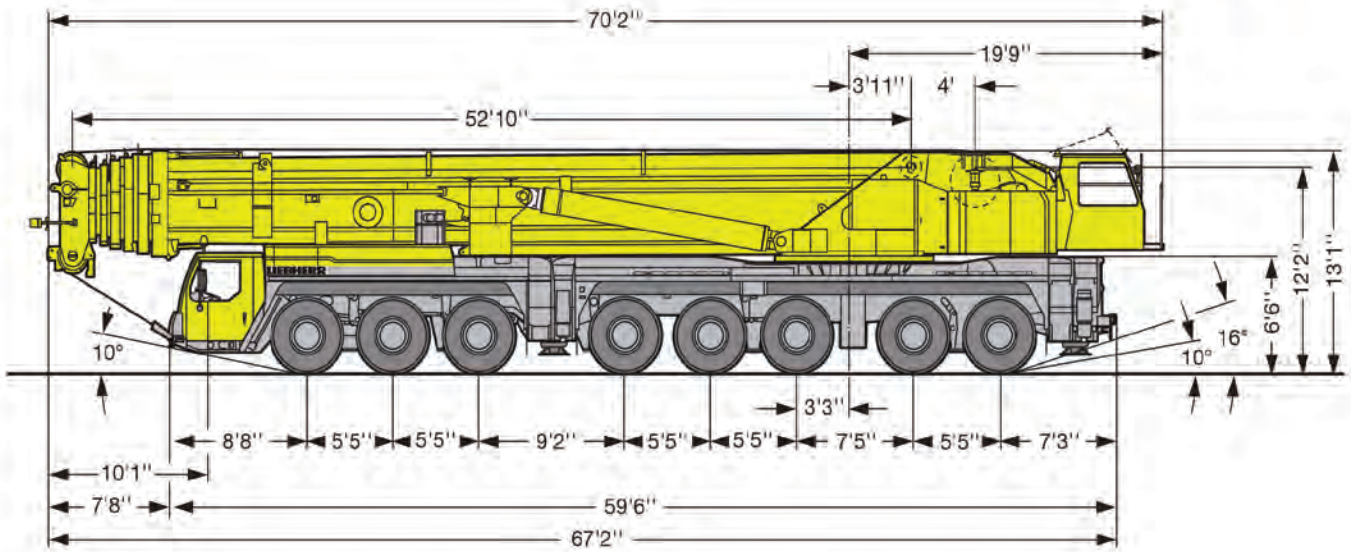
	Dimensions · Encombrement	
	B	C
 385/95 R 25 (14.00 R 25)	9'10"	8'7"
445/95 R 25 (16.00 R 25)	9'10"	8'4"
525/80 R 25 (20.5 R 25)	10'7"	8'10"



Dimensions



A



US2010.02

Tyres 385/95 R 25 (14.00 R 25) · Pneumatiques 385/95 R 25 (14.00 R 25)

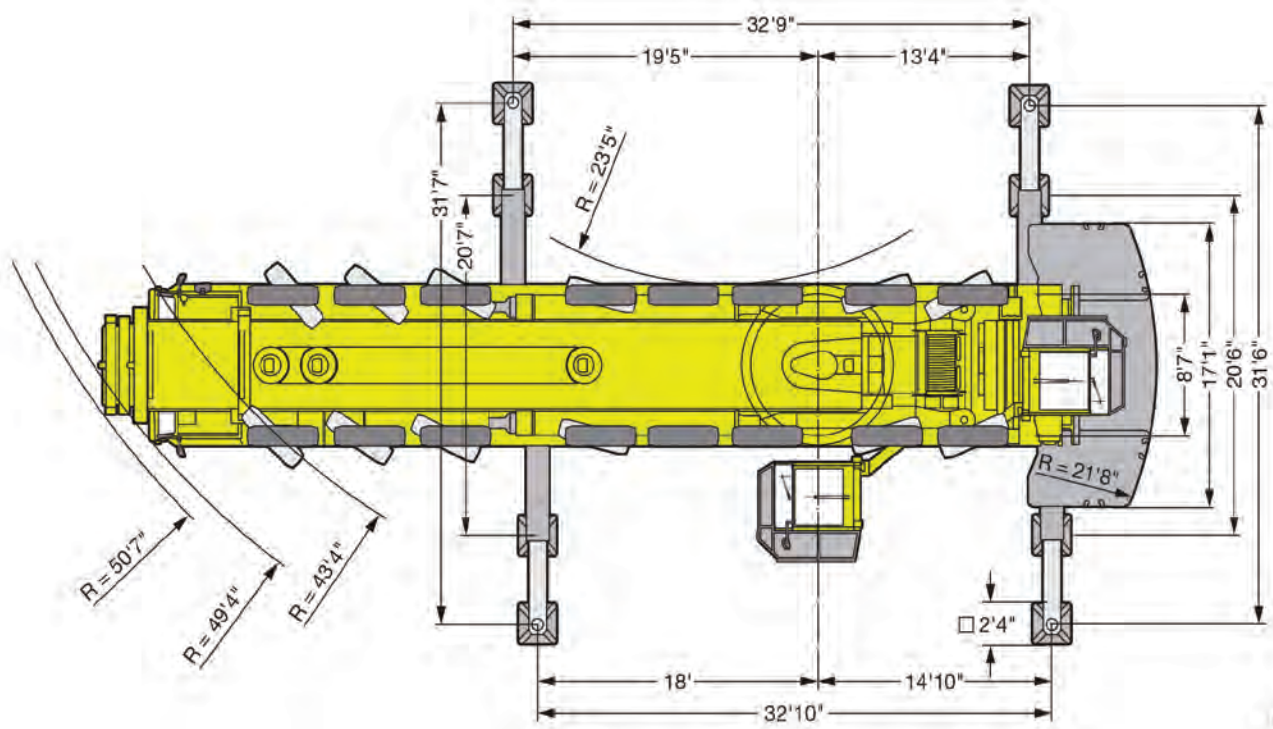
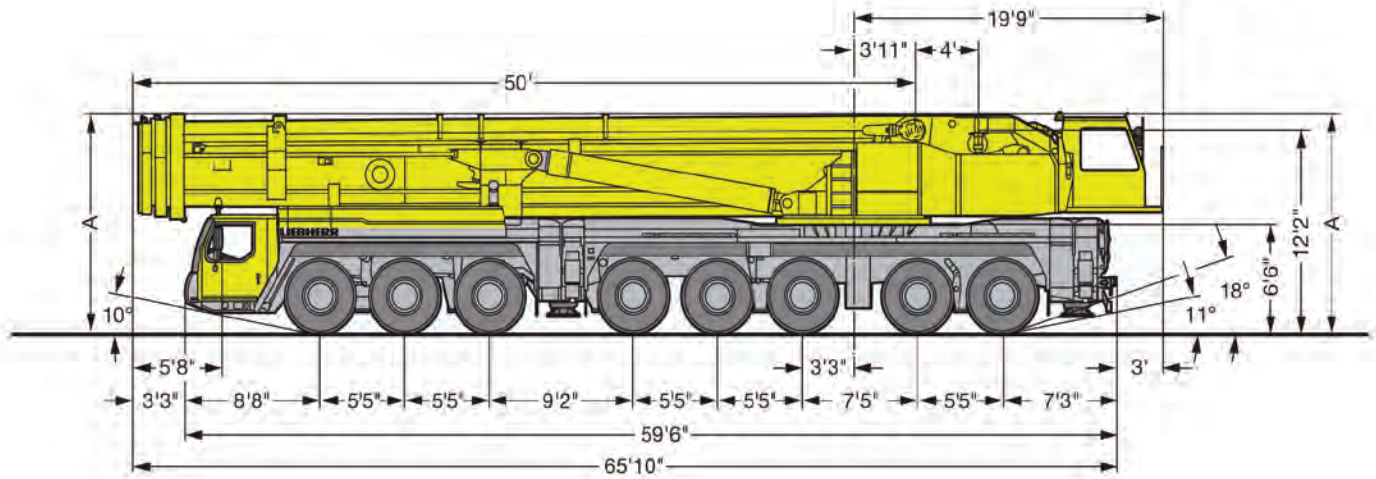
	Dimensions · Encombrement	
	B	C
385/95 R 25 (14.00 R 25)	9'10"	8'7"
445/95 R 25 (16.00 R 25)	9'10"	8'4"
525/80 R 25 (20.5 R 25)	10'7"	8'10"



SUPOR CRANE & RIGGING, LLC
A MEMBER OF THE SUPOR GROUP OF COMPANIES

LTM 1500-8.1

A Dimensions - Operating on road



US2775



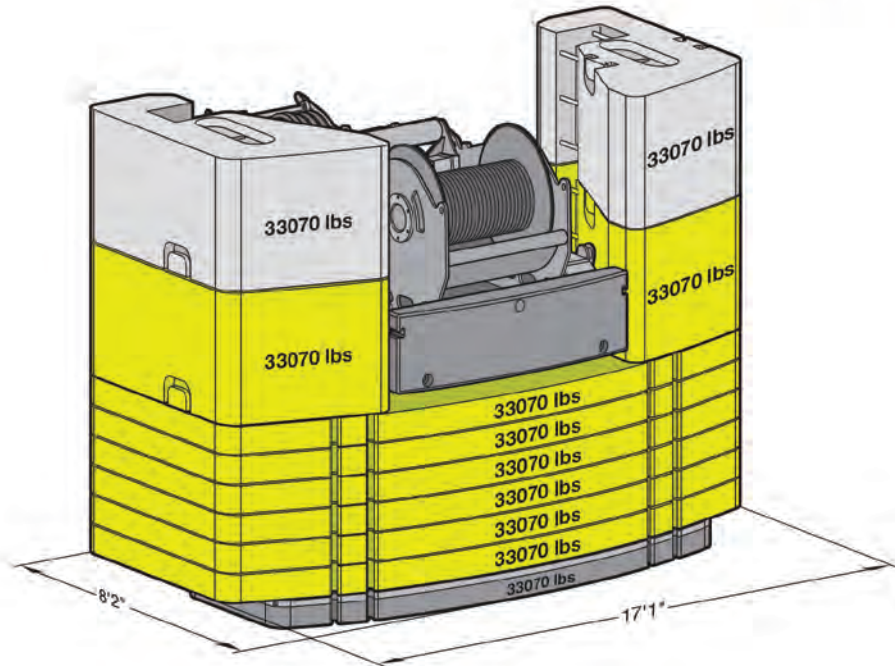
SUPOR CRANE & RIGGING, LLC
A MEMBER OF THE SUPOR GROUP OF COMPANIES

Dimensions - Counterweight



A

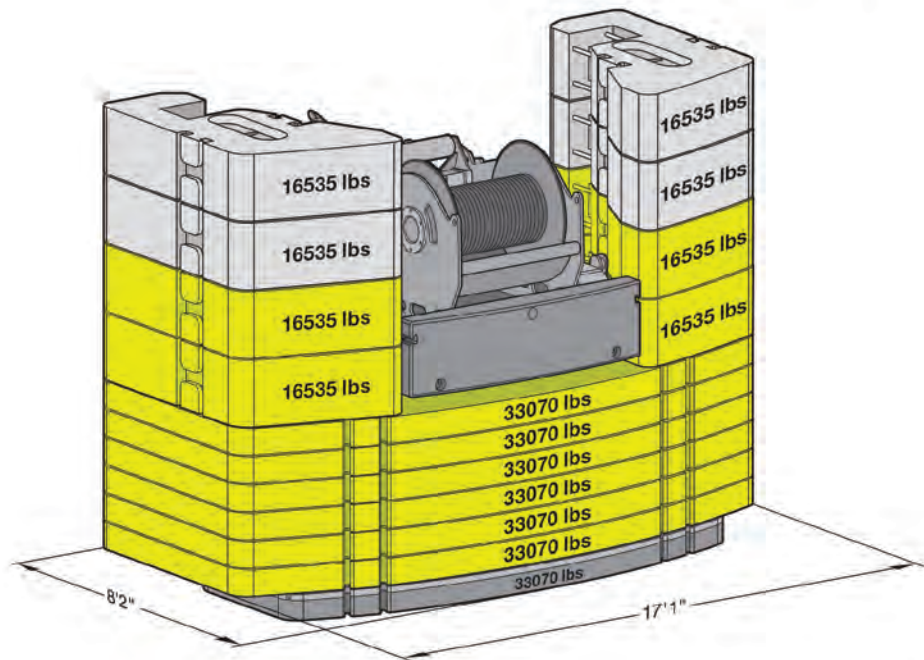
standard



US2776

Basic counterweight	297630 lbs
Additional counterweight	66140 lbs
Total	363770 lbs

optional



US2777

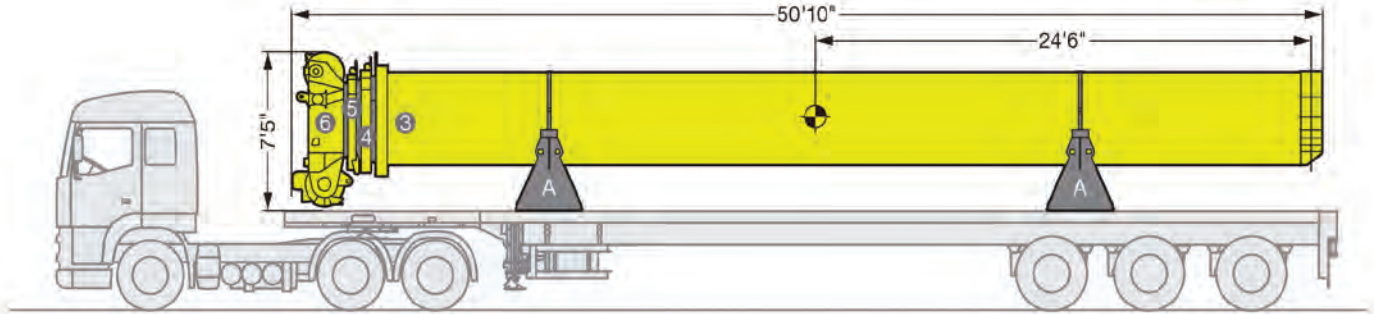


SUPOR CRANE & RIGGING, LLC
A MEMBER OF THE SUPOR GROUP OF COMPANIES

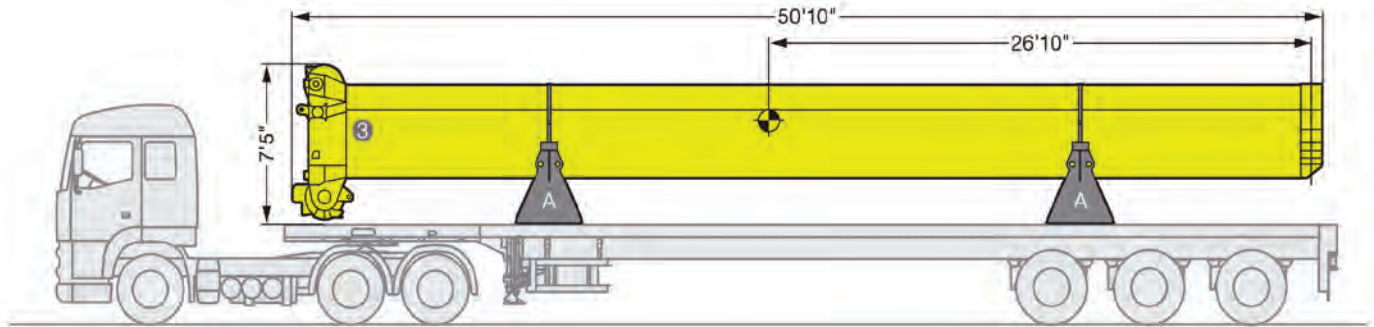
A

Transportation plan

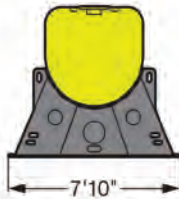
Weights telescopic sections ③-③ including supporting stands B: 47400 lbs.



Weight telescopic section ③ including supporting stands B: 18500 lbs



A = Part A / Partie A



US2774



SUPOR CRANE & RIGGING, LLC
A MEMBER OF THE SUPOR GROUP OF COMPANIES

Weights

A



Axle	1	2	3	4	5	6	7	8	Total weight
lbs	26400	26400	26400	26400	26400	26400	26400	26400	211200*

* with 164 ft long telescopic boom · avec flèche télescopique de 164 ft



Load	No. of sheaves	No. of lines	Weight
604	13	27	13448
546	11	23	8157
376	7	15	5952
187	3	7	5732
82	1	3	3083
28	-	1	1543

Working speeds



	1	2	3	4	5	6	7	8	9	10	11	12	R 1	R 2	
385/95 R 25 (14.00 R 25)	3.2	4.2	5.4	6.9	8.8	11.2	14.8	19	24.5	31.4	39.9	46.6	3.5	4.5	37.4 %
445/95 R 25 (16.00 R 25) 525/80 R 25 (20.5 R 25)	3.5	4.5	5.8	7.5	9.5	12.2	16.1	20.6	26.7	34.2	43.4	50	3.8	4.9	33.9 %



Drive	infinitely variable	Rope diameter / length	Max. single line pull
	0 - 426 ft/min single line	1" / 2034 ft	28350 lbs
	0 - 475 ft/min single line	1" / 2034 ft	28350 lbs
	0 - 426 ft/min single line	1" / 3445 ft	28350 lbs
	0 - 1 rpm		
	approx. 70 seconds to reach 83° boom angle		
	approx. 330/750 seconds for boom extension from 53 ft – 164 ft/53 ft – 276 ft		



SUPOR CRANE & RIGGING, LLC

A MEMBER OF THE SUPOR GROUP OF COMPANIES

Lifting capacities



T

B



363800 lbs
297600 lbs
231500 lbs

85%

ft	53 ft	70 ft	87 ft	104 ft	121 ft	138 ft	155 ft	164 ft	ft	
9	604	604							9	
10	1081	604							10	
11	947	604	604						11	
12	830	604	604						12	
13	729	604	604	545					13	
14	656	604	589	535					14	
15	602	602	577	523					15	
16	594	594	560	513	413				16	
17	578	578	541	501	406				17	
18	558	558	521	488	396	333			18	
20	519	519	483	463	375	331			20	
22	486	486	451	440	357	317	266		22	
24	456	456	424	418	341	303	261		24	
26	429	429	408	396	326	290	251	216	26	
28	406	406	389	379	314	277	241	210	178	28
30	384	384	367	360	302	265	232	204	177	30
32	363	363	348	340	292	253	224	197	171	32
34	344	344	330	324	280	242	216	192	166	34
36	325	325	314	309	267	232	208	186	160	36
38	306	306	298	295	254	222	200	180	155	38
40	289	289	283	281	243	214	192	174	150	40
45	255	255	252	250	223	196	176	161	140	45
50			229	224	204	181	162	148	129	50
55			207	203	188	166	149	136	120	55
60			185	184	173	153	138	127	112	60
65			151	168	163	141	127	118	105	65
70				154	154	133	119	110	97.3	70
75				143	144	126	113	103	90.2	75
80					134	119	107	96.1	83.7	80
85					124	113	102	90.8	78.8	85
90					116	107	96.9	85.9	74.1	90
95					103	102	92.2	81.3	69.7	95
100						96.2	87.7	76.8	65.6	100
105						89.8	83.3	72.6	61.5	105
110						84.3	79.2	69.6	58.8	110
115							75.3	66.7	56.2	115
120							71.4	63.9	53.6	120
125							67.6	61.3	51.2	125
130							63.9	58.7	48.9	130
135								56.3	46.7	135
140								53.9	44.5	140
145								50.8	42.5	145
150								42.1	40.5	150
155									38.5	155

* over rear lifting capacities above 604000 lbs only with special equipment
 en arrière forces de levage plus de 604000 lbs seulement avec équipement supplémentaire

TAB 221355 / 221357 / 221359 / 221360 / 221362 / 221761

Lifting capacities



TY3



85%

ft	104 ft	121 ft	138 ft	155 ft	172 ft	189 ft	206 ft	223 ft	241 ft	258 ft	276 ft	ft
16	453											16
17	451											17
18	447	372										18
20	439	371										20
22	431	363	285									22
24	421	356	282									24
26	409	349	276	270								26
28	389	341	270	265	248							28
30	368	333	265	260	247							30
32	348	322	260	254	242	212						32
34	331	310	255	249	237	210						34
36	316	298	250	245	233	207						36
38	300	286	246	240	228	204	179					38
40	286	274	241	235	224	200	178					40
45	256	245	231	225	213	191	172	154	136			45
50	229	229	214	215	203	182	166	150	133	114	97	50
55	209	213	196	201	190	174	160	144	129	112	96	55
60	194	194	182	185	176	167	153	139	125	109	93	60
65	180	180	176	171	167	160	147	134	121	105	90	65
70	165	166	163	162	156	152	141	129	117	102	86.5	70
75	151	152	152	152	146	144	134	124	113	99	84	75
80	139	141	143	140	138	135	128	118	109	96	81	80
85	128	133	132	129	131	126	122	112	105	93	78	85
90	118	123	122	123	122	117	116	107	101	90.5	75.5	90
95	102	115	114	116	113	110	110	103	96.5	87.5	73	95
100		107	106	109	105	105	103	98.5	92	85	70.5	100
105		99.5	98.5	102	98	100	96	95	87.5	82.5	68.5	105
110		91.5	92	95.5	91.5	94	90	90.5	82.5	79.5	66.5	110
115			86	89.5	86	88.5	84	85.5	77.5	77	64	115
120			80.5	84	80.5	83	78.5	80.5	72.5	73.5	62	120
125			75	79	75	78	73	75.5	68.5	69.5	59.8	125
130			63	74.5	70.5	73	68.5	71	64	65.5	58.1	130
135				70	66.5	69	64.5	66.5	60.5	61.5	56.4	135
140				65	62.5	65	60.5	62.5	56.6	58.1	54.7	140
145				57.7	58.6	61	56.6	59	52.9	54.8	52.9	145
150				40.1	55.2	57.7	53.2	55.5	49.4	51.7	50.9	150
155					52	54.5	50	52.3	46.2	48.6	48.2	155
160					46	51.5	46.9	49.3	43.2	45.6	45.6	160
165						48.7	44.1	46.4	40.3	42.7	43	165
170						46	41.4	43.7	37.7	40.1	40.5	170
175						41.4	38.9	41.2	35.2	37.5	38	175
180						33.6	36.5	38.9	32.8	35.2	35.7	180
185							34	36.6	30.6	32.9	33.4	185
190							30.8	34.5	28.4	30.8	31.3	190
195							24.8	32.5	26.2	28.8	29.3	195
200								30.6	24.1	26.6	27.3	200
205								27.9	22.1	24.5	25.5	205
210									20	22.4	23.8	210
215									18	20.6	22.1	215
220									15.8	18.8	20.5	220
225										17	19	225
230										15.2	17.6	230
235										13.4	16.2	235
240										11.3	14.9	240
245											13.5	245
250											11.8	250
255											9.6	255

TAB 233020



SUPOR CRANE & RIGGING, LLC

A MEMBER OF THE SUPOR GROUP OF COMPANIES

Collection of Equipment

Liebherr LTM-1500-8.1: (600 Ton) The LTM 1500-8.1 is suitable for universal use with an extensive range of boom systems. Its load capacities can be increased even further with its Y boom guying.

Liebherr LTM-1400-7.1: (500 Ton) The seven-axle LTM 1400-7.1 mobile crane is one of the most compact representatives of its class and extraordinarily maneuverable thanks to its active rear-axle steering. The ballast radius can be significantly reduced for use in constricted areas by moving the counterweight.

Liebherr LTM-1250-5.1: (300 Ton) The LTM 1250-5.1 features enormous load capacities. VarioBallast enables the crane to deliver maximum load capacities with a large ballast radius, making it perfect for use on constricted sites with confined space. The crane can be fitted with a multi-functional folding jib or a long fixed jib.

Liebherr LTM-1100-5.2: (120 Ton) The LTM 1100-5.2 deliver maximum load capacities with a long telescopic boom that can be extended with additional lattice mast sections and a double folding jib.

Liebherr LTM-1070-4.2: (80 Ton) The 4-axle LTM 1070-4.2 carries the majority of its ballast on it when it is on the road. This means that it is immediately ready for use once it reaches the site. It features the very latest technology such as active, speed-dependent rear-axle steering and pneumatic disk brakes.

Liebherr LTM-1055-3.2: (55 Ton) The three-axle LTM 1055-3.2 mobile crane provides high flexibility with outstanding load capacities with full and part ballast. Fully automated support levelling and ballasting with advanced keyhole technology ensure that the crane can be made ready for use very quickly.

Liebherr LTC-1050-3.1: (50 Ton) The LTM 1050-3.1 is designed for use as a low cost taxi crane. When driven on public roads its double folding jib and the majority of its ballast can be carried on the crane. Its active rear-axle steering and pneumatic disk brakes increase safety and economy on the road.

Supor utilizes a fleet of cranes from 9 to 600 ton.



SUPOR CRANE & RIGGING, LLC

A MEMBER OF THE SUPOR GROUP OF COMPANIES



**Supor Trucking LLC • Supor Crane & Rigging LLC
Harrison Warehouse • Supor Heavy Haul LLC**

**433 Bergen Ave, Kearny NJ
T. 201.299.1100 - info@jsupor.com
24 Hour Emergency: 800.422.6041**

www.jsupor.com